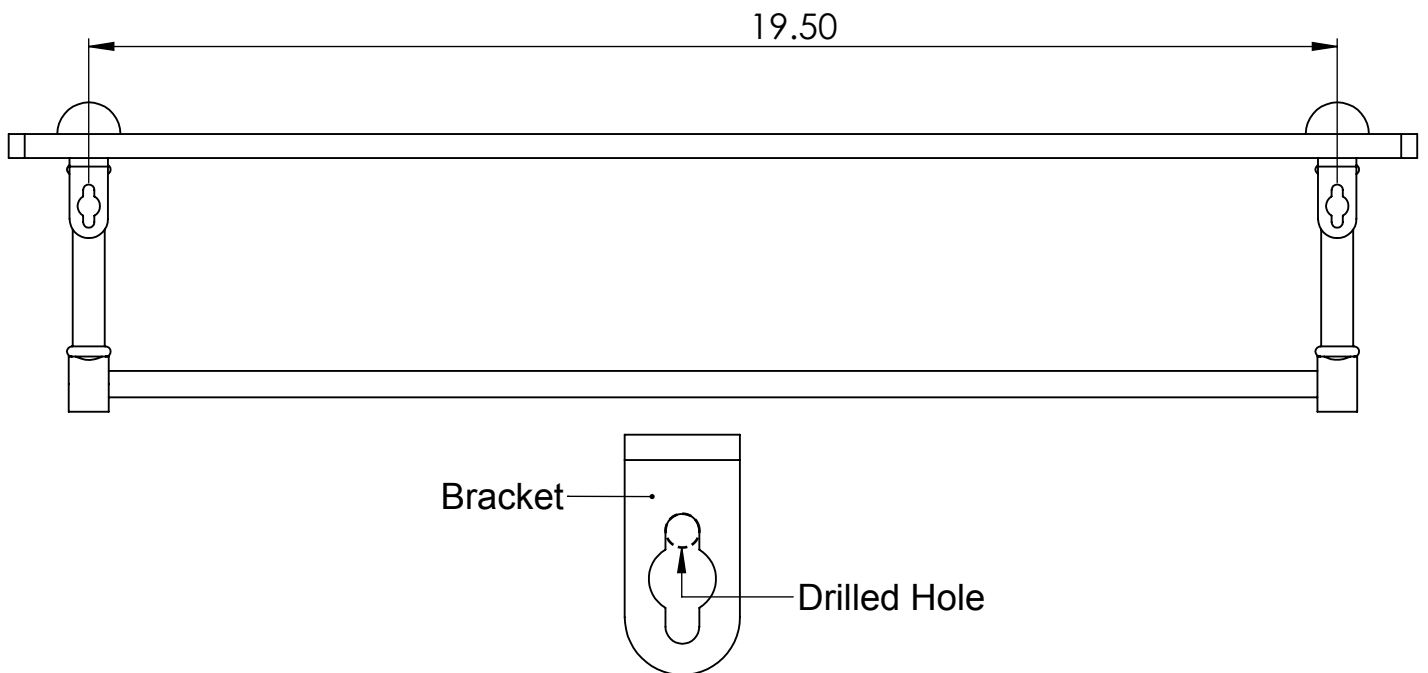


## INSTALLATION INSTRUCTIONS

### Step 1: Drill holes in Wall for screw anchors

Determine your desired location for installation and make a mark for the location of the mounting bracket. Make 2 marks where mounting screws will be placed as shown below. Make sure shelf is level when marking for location of installation. Drill hole at each end of the marks.



### Step 2: Attach Shelf to mounting Surface

